

/muuro

CORNER PROFILE SPECIFICATION SHEET

PRODUCT DETAILS

Collection	Muuro
Product Type	Engineered Plank
Availability	Stocked
Total Thickness	10mm
Width	25mm
Length	2700mm
Top Layer	0.6mm Solid European Oak or Walnut Veneer
Core	Moisture Resistant HDF
Construction	2-layer Engineered
Surface Texture	All (except Umber Walnut): Brushed Umber Walnut: Smooth
Surface Sheen	Extra Matte (Gloss Level 4-8%)
Bevel	Micro-bevel on long-edges
Status	Pre-finished (no additional coats required)
Finish	Bona® Matte Lacquer (8 Coats)
Species	European Oak PEFC® (Buff, Fresco, Sienna, Noir) American Walnut PEFC® (Sabel)
Wood Grade	Clear (refer to page 2 for details)
Filler Colour	Natural
Crafted in	Spain

STRUCTURAL WARRANTY

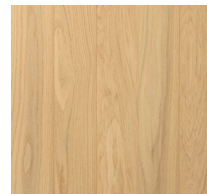
5 Year Commercial	For terms and conditions see
15 Year Residential	www.forte.co.nz/warranties

SUSTAINABILITY

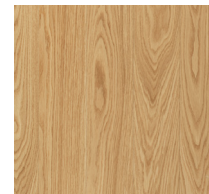
PEFC® Certified
Greenguard Certified



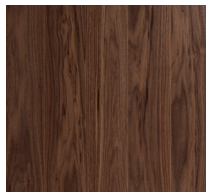
Buff Oak



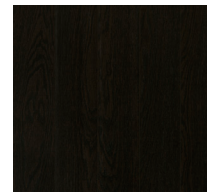
Fresco Oak



Sienna Oak



Sabel Walnut



Noir Oak

INSTALLATION

Installation Method	Glue and pin through tongue
Suitable Substrates	Plaster Board, Plywood, MDF Board - enquire for others
Joint Profile	Locking Unifit X®
Suitable Applications	Interior Walls, Ceilings
Suitable Uses	Residential homes, hospitality, retail stores, restaurants, apartments
Wet Area Suitability	Contact the Forté team for information 0508 35 66 77

TECHNICAL SPECIFICATIONS

Reaction to Fire (Walls and Ceilings)	Group 3 / Class Dfl-s1 (Group 1 can be achieved with intumescent coating)
Top Layer Density	650-700kg/m ³
Thermal Conductivity	0.13W/mK
CE Certification	Yes
<u>Formaldehyde Emission</u>	
AS/NZS 4266.1	Super E0 (0.27 mg/L)
VOC Emission ISO 16000	A+
Carb 2 and PCP Free	Compliant

PACK INFORMATION

Supplied in	2.7m lengths
Corner Profile Weight	1kg/length

Profile

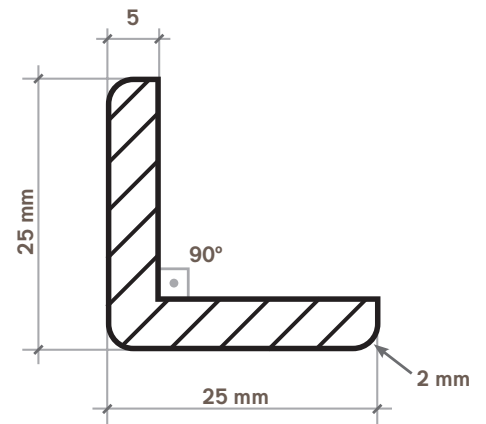
MUURO – CORNER PROFILE DIMENSIONS

Oak

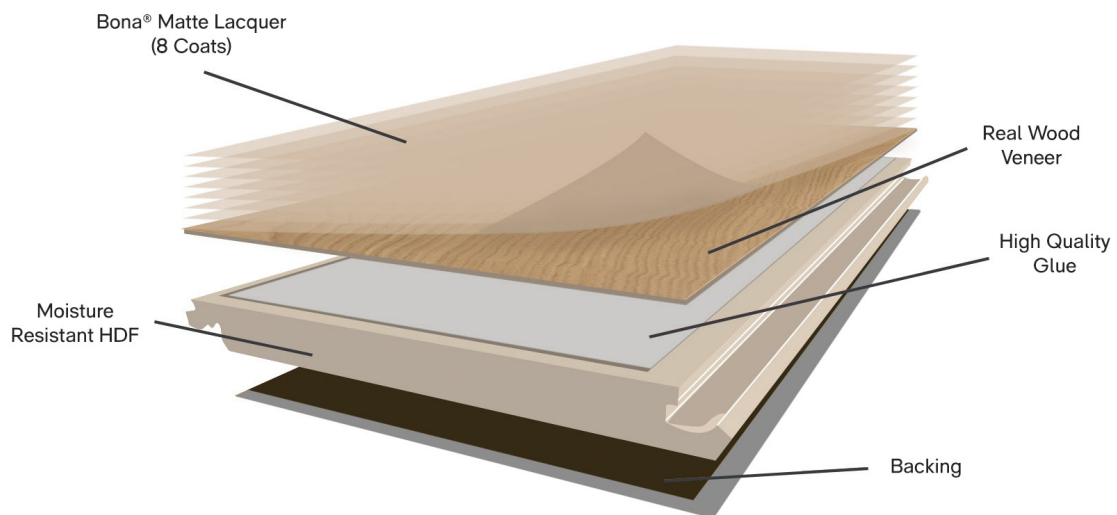
Length: 2.700 mm
Width: $25 \pm 0,8$ mm
Thick: $25 \pm 0,8$ mm
Density: 670 - 730 - 770 kg / m³
Contraction: medium nervous.
Shrinkage coefficients (ASTM):
total (unit)
• Volumetric: 16,0 %
• Tangential: 8,0 %
• Radial: 5 %
Hardness: Medium

Walnut

Length: 2.700 mm
Width: $25 \pm 0,8$ mm
Thick: $25 \pm 0,8$ mm
Density: 550 - 620 - 660 kg / m³
Contraction: little nervous.
Shrinkage coefficients (ASTM):
total (unit)
• Volumetric: 12,8 - 14%
• Tangential: 8 % (0,26)
• Radial: 5 % (0,19)
Hardness: 3,6 (Medium)



MUURO – LAYERS



MUURO – CLEAR GRADE



Grade Representation only

A Muuro clear grade plank will contain natural colour variation. This grade allows for minimal pin knots which are finished with a natural coloured filler. Sapwood, cracks and checks should not be expected throughout the planks.

Care and Maintenance

RESIDENTIAL AND COMMERCIAL CARE AND MAINTENANCE

Please visit www.forte.co.nz/advice/timber-wall-and-ceiling-panelling-care-and-maintenance-guide

Structural Warranty

MUURO 15 YEAR RESIDENTIAL STRUCTURAL WARRANTY

The Muuro Collection comes with a full 15 year Residential Structural Warranty. For full warranty terms and conditions, please visit www.forte.co.nz/warranties

MUURO 5 YEAR COMMERCIAL STRUCTURAL WARRANTY

The Muuro Collection comes with a full 5 year Commercial Structural Warranty. For full warranty terms and conditions, please visit www.forte.co.nz/warranties

Installation

THE MUURO COLLECTION MUST BE INSTALLED BY A TRAINED PROFESSIONAL

Please ensure that you have read and understood the installation guidelines before proceeding to install Muuro Interior Panelling. If you have any questions or concerns, please call the Forté technical team on 0508 35 66 77. Failure to adhere to the Forté Installation Guidelines may void your warranty.

For full installation guidelines, please visit www.forte.co.nz/installation