

Profile

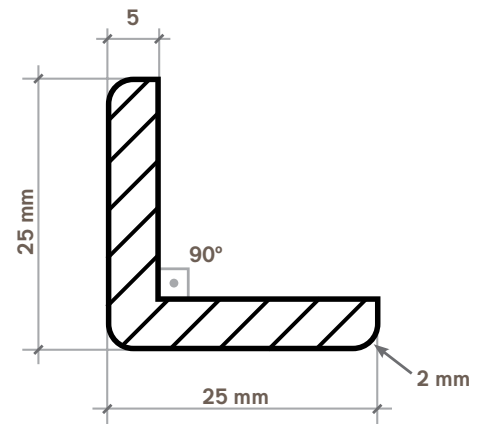
MUURO – CORNER PROFILE DIMENSIONS

Oak

Length: 2.700 mm
Width: $25 \pm 0,8$ mm
Thick: $25 \pm 0,8$ mm
Density: 670 - 730 - 770 kg / m³
Contraction: medium nervous.
Shrinkage coefficients (ASTM):
total (unit)
• Volumetric: 16,0 %
• Tangential: 8,0 %
• Radial: 5 %
Hardness: Medium

Walnut

Length: 2.700 mm
Width: $25 \pm 0,8$ mm
Thick: $25 \pm 0,8$ mm
Density: 550 - 620 - 660 kg / m³
Contraction: little nervous.
Shrinkage coefficients (ASTM):
total (unit)
• Volumetric: 12,8 - 14%
• Tangential: 8 % (0,26)
• Radial: 5 % (0,19)
Hardness: 3,6 (Medium)



MUURO – CORNER PROFILE



MUURO – CLEAR GRADE



A Muuro clear grade plank will contain natural colour variation. This grade allows for minimal pin knots which are finished with a natural coloured filler. Sapwood, cracks and checks should not be expected throughout the planks.